



LIBERTY  
BUILDING  
PRODUCTS

## BARN DOOR HARDWARE



# Top Mount Barn Door Hardware

## FEATURES

- Type: Top Mount Single Wheel
- Material: Metal Construction
- Designed for Wood Doors: 1-3/8" ~1-3/4" (thickness)  
**Maximum Door Weight: 250 Lbs (smooth operation)**
- Kit Includes:
  - 1 Hangers Set (pair)
  - 2 Track Stoppers
  - 5 Rail Mounting Clamps for Rail Size 78-3/4"
  - 6 Rail Mounting Clamps for Rail Size 96"
  - 1 Flat Track Rail, Length 78-3/4 or 96"
  - 1 Floor Bottom Guide
  - Mounting Screw Pack

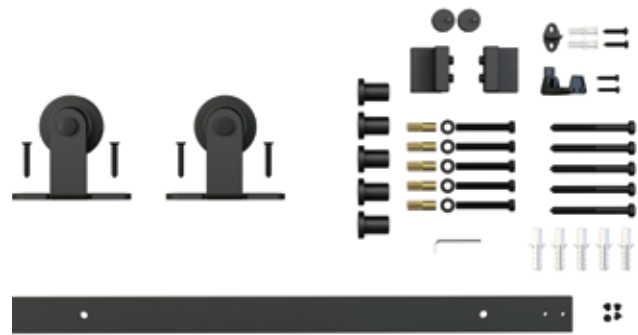
## ITEMS

### BDTOPMOUNT78(3/4)

Top Mount Single Wheel Set 78-3/4"  
Finish: Matte Black, Bronze, Satin Nickel

### BDTOPMOUNT96

Top Mount Single Wheel Set 96"  
Finish: Matte Black, Bronze, Satin Nickel



# OUTSIDE TRIMS & PARTS

Standard: Meets Performance Requirements of ANSI/BHMA 156.14 for Sliding Doors by Exceeding 100,000 Cycles

**BDSOFTCLOSE**  
Soft Close Kit for Flat Track



**KITJOINER**  
Flat Rail Joint with Screws



**BDFLPULL**  
6-1/2" Flush Pull

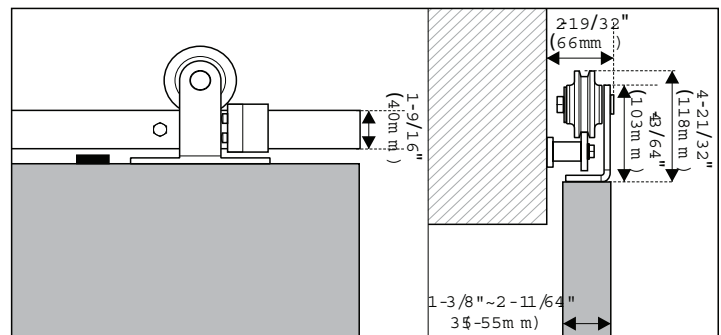
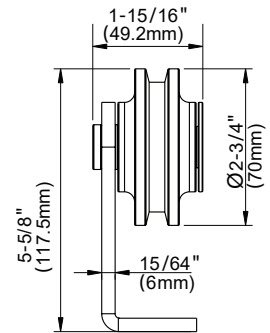
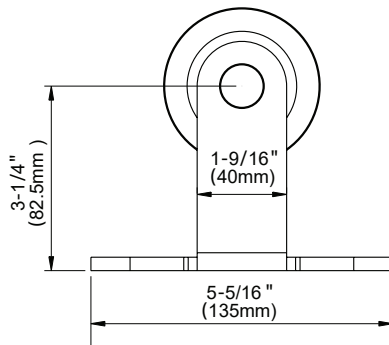
**BDHANDLE**  
Barn Door Handle

**BDLATCH**  
Privacy Lock



Finish: Matte Black (MB), Bronze (BR),  
Satin Nickel (SN)

# DIMENSIONS



# Straight Strap Barn Door Hardware

## FEATURES

- Type: Straight Strap
- Material: Metal Construction
- Finish: Matte Black (powder-coated), Bronze, Satin Nickel
- Designed for Wood Doors: 1-3/8" and 1-3/4" (thickness)
- **Maximum Door Weight: 250 Lbs (smooth operation)**
- Kit Includes:
  - 1 Hangers Set (pair)
  - 2 Track Stoppers
  - 5 Rail Mounting Clamps for Rail Size 78-3/4"
  - 6 Rail Mounting Clamps for Rail Size 96"
  - 1 Flat Track Rail, Length 78-3/4" or 96"
  - 1 Floor Bottom Guide
  - Mounting Screw Pack (for both 1-3/8" and 1-3/4" door thick)

## ITEMS

### BDSRTSTRAP78(3/4)

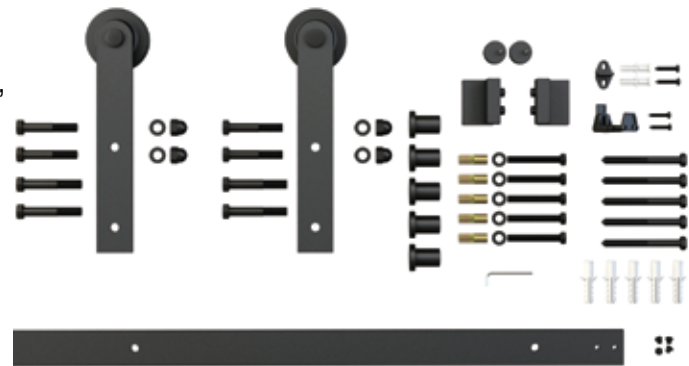
Straight Strap Wheel Set 78-3/4"

Finish: Matte Black, Bronze, Satin Nickel

### BDSRTSTRAP96

Straight Strap Wheel Set 96"

Finish: Matte Black, Bronze, Satin Nickel



# OUTSIDE TRIMS & PARTS

Standard: Meets Performance Requirements of ANSI/BHMA 156.14 for Sliding Doors by Exceeding 100,000 Cycles

**BDSOFTCLOSE**  
Soft Close Kit for Flat Track



**KITJOINER**  
Flat Rail Joint with Screws



**BDFLPULL**  
6-1/2" Flush Pull



**BDHANDLE**  
Barn Door Handle

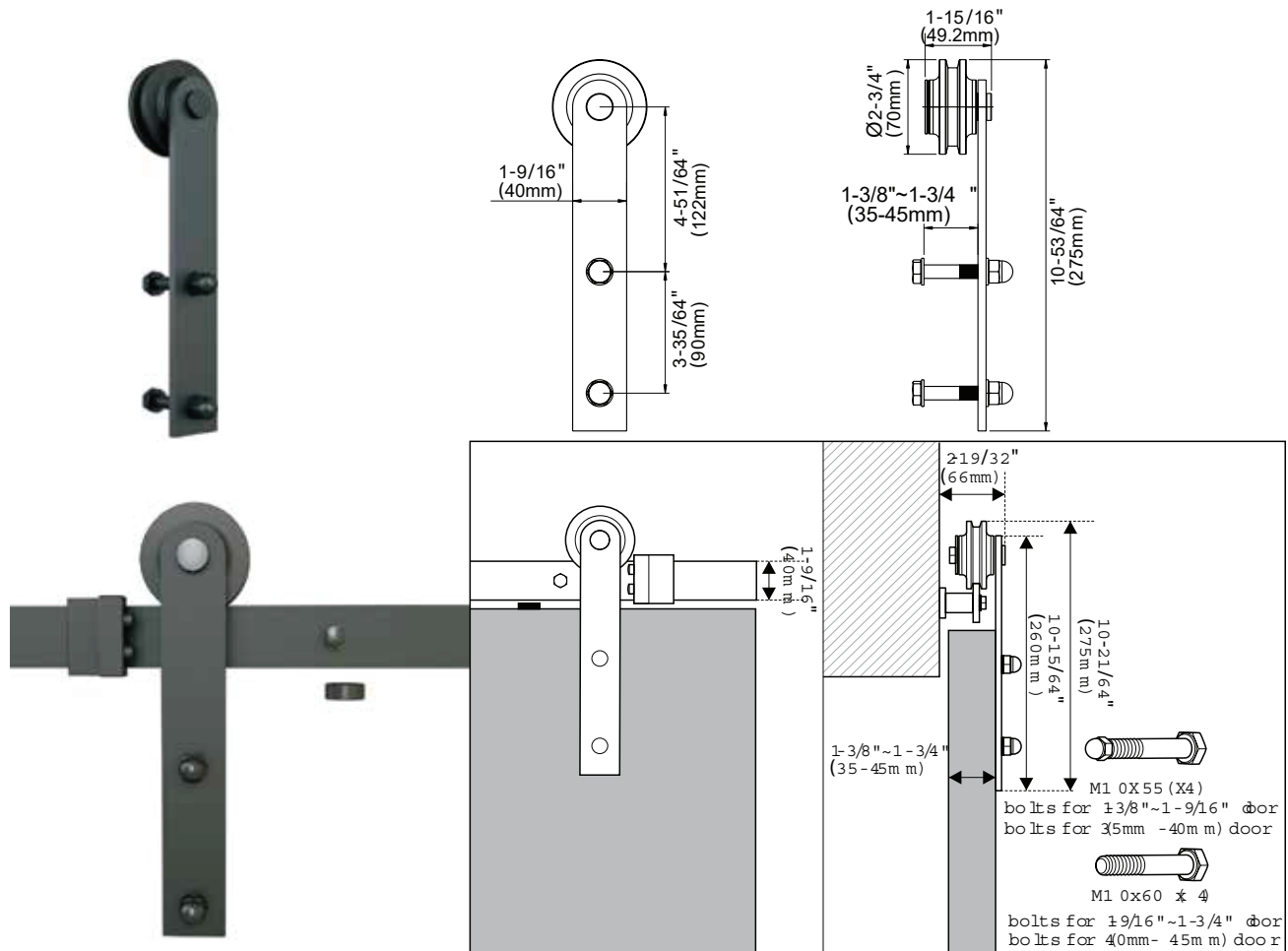


**BDLATCH**  
Privacy Lock



Finish: Matte Black (MB), Bronze (BR),  
Satin Nickel (SN)

# DIMENSIONS



# Bent Strap Barn Door Hardware

## FEATURES

- Type: Bent Strap
- Material: Metal Construction
- Finish: Matte Black (powder-coated), Bronze, Satin Nickel
- Designed for Wood Doors: 1-3/8" and 1-3/4" (thickness)
- **Maximum Door Weight: 250 Lbs (smooth operation)**
- Kit Includes:
  - 1 Hangers Set (pair)
  - 2 Track Stoppers
  - 5 Rail Mounting Clamps for Rail Size 78-3/4"
  - 6 Rail Mounting Clamps for Rail Size 96"
  - 1 Flat Track Rail, Length 78-3/4" or 96"
  - 1 Floor Bottom Guide
  - Mounting Screw Pack (for both 1-3/8" and 1-3/4" door thick)

## ITEMS

### BDBENTSTRAP78(3/4)

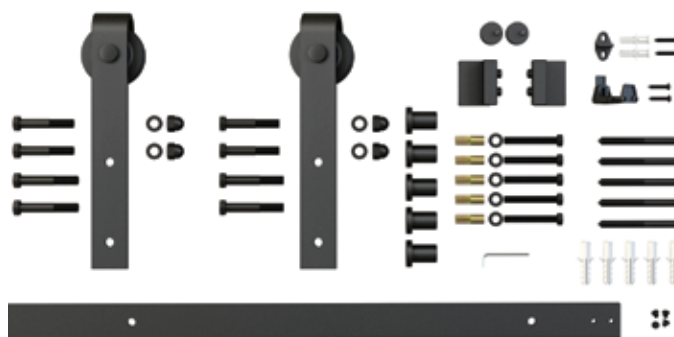
Bent Strap Wheel Set 78-3/4"

Finish: Matte Black, Bronze, Satin Nickel

### BDBENTSTRAP96

Bent Strap Wheel Set 96"

Finish: Matte Black, Bronze, Satin Nickel



# OUTSIDE TRIMS & PARTS

Standard: Meets Performance Requirements of ANSI/BHMA 156.14 for Sliding Doors by Exceeding 100,000 Cycles

**BDSOFTCLOSE**  
Soft Close Kit for Flat Track



**KITJOINER**  
Flat Rail Joint with Screws



**BDFLPULL**  
6-1/2" Flush Pull

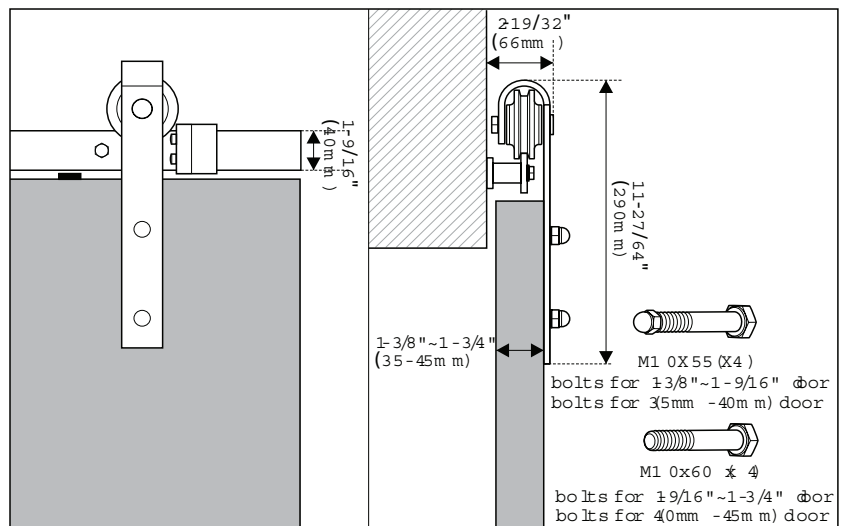
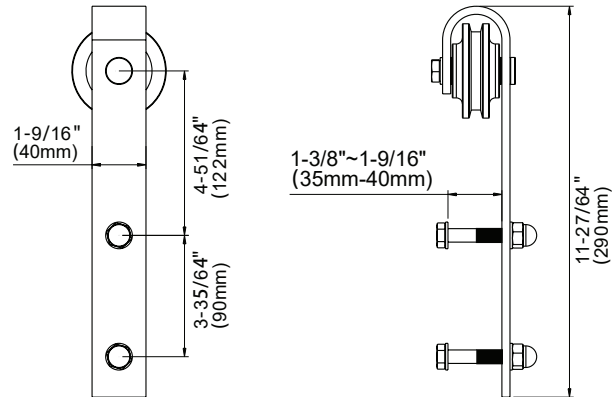
**BDHANDLE**  
Barn Door Handle

**BDLATCH**  
Privacy Lock



Finish: Matte Black (MB), Bronze (BR),  
Satin Nickel (SN)

# DIMENSIONS



# Bifold Barn Door Hardware

## FEATURES

- Type: Bifold
- Material: Metal Construction
- Finish: Matte Black (powder-coated), Bronze, Satin Nickel
- Designed for Wood Doors: 1-3/8" and 1-3/4" (thickness)  
**Maximum Door Weight: 250 Lbs (smooth operation)**
- Kit Includes:
  - 2 Hangers for 2 Door Kits
  - 4 Hangers for 4 Door Kits
  - 2 Track Stoppers
  - 3 Rail Mounting Brackets for Rail Size 43"
  - 5 Rail Mounting Clamps for Rail Size 79"
  - 1 Flat Track Rail, Length 43" or 79"
  - 6 Hinges with Screws
  - 1 Lower Pivot Base for 2 Door Kits
  - 2 Lower Pivot Base for 4 Door Kits
  - 2 Anti Jump Boxes
  - Mounting Screw Pack

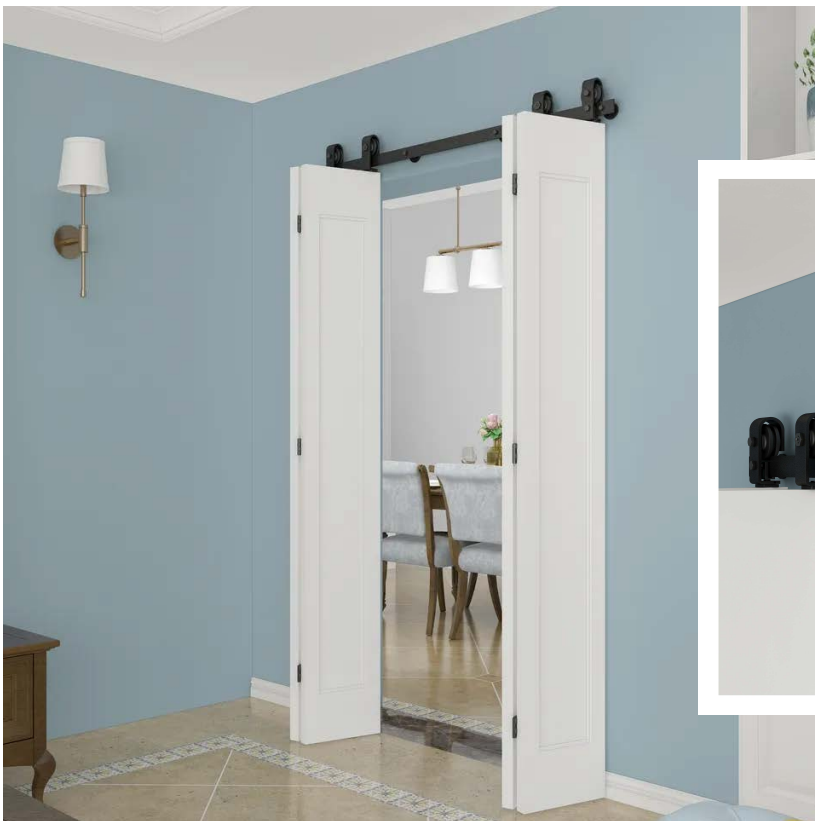
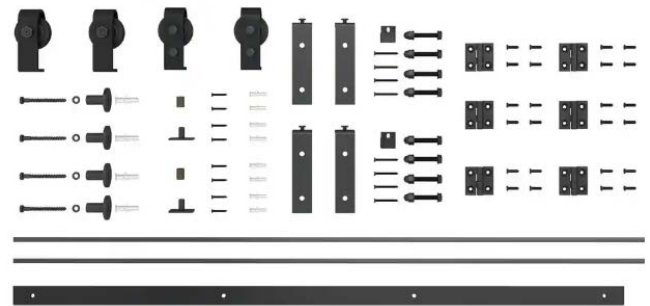
## ITEMS

### BDBF2DRKIT43MB

Bifold 2 Door Kit 43" MB  
Finish: Matte Black

### BDBF4DRKIT79MB

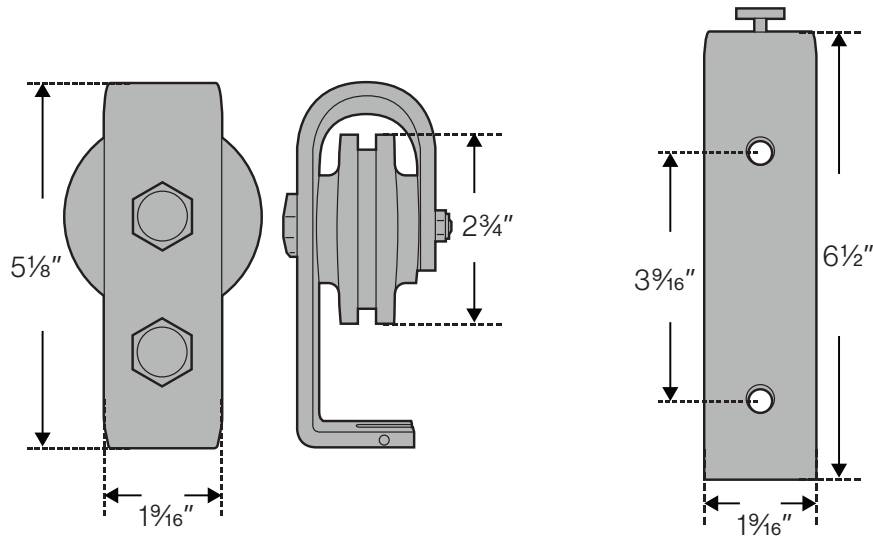
Bifold 4 Door Kit 79" MB  
Finish: Matte Black





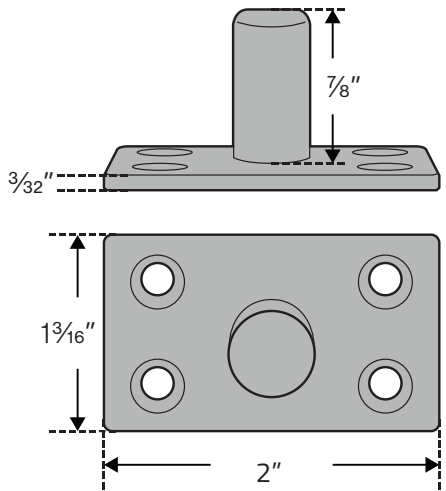
# DIMENSIONS

Standard: Meets Performance Requirements of ANSI/BHMA 156.14 for Sliding Doors by Exceeding 100,000 Cycles

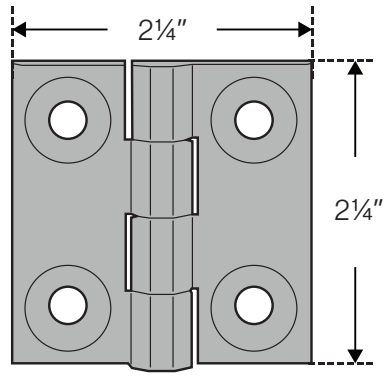


Adjustable/Fixed Roller

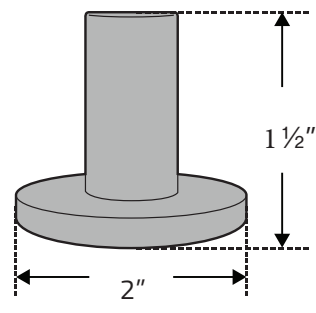
Front Mount Hardware



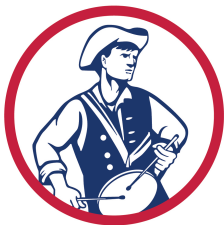
Bottom Pivot Plate



Door Hinge



Rail Spacer



# LIBERTY BUILDING PRODUCTS

Barn Door Hardware | Builders Hardware | Commercial Hardware | Hinges  
Jams | Locksets | Pocket Door Frames | PVC Products | Transoms

Barn Door Hardware • Builders Hardware • Commercial Hardware • Hinges  
Jams • Locksets • Pocket Door Frames • PVC Products • Transoms

7 Mary Way • Hainesport, NJ 08036  
Tel: 1-609-261-2200 • Fax: 1-609-261-2233  
liberty@libertybp.net • www.libertybp.net

LibertyC01 02/2023

liberty@libertybp.net  
1-609-261-2200



LIBERTY  
BUILDING  
PRODUCTS

Barn Door Hardware • Builders Hardware • Commercial Hardware  
Hinges • Jams • Locksets • Pocket Door Frames  
PVC Products • Transoms